





LED STRIP PROFILE

**PLEASE READ THESE INSTRUCTIONS CAREFULLY BEFORE INSTALLATION
LEAVE A COPY FOR THE USER / MAINTENANCE ENGINEER FOR FUTURE REFERENCE**

IMPORTANT INSTALLATION INFORMATION

 <p>WARNING RISK OF ELECTRIC SHOCK</p> <ul style="list-style-type: none"> • Disconnect power before performing installation or maintenance • Verify that supply voltage is correct by comparing it with LED strip label information. • Make all electrical grounded connections in accordance with the latest edition of the National Electric Code (NEC) and applicable local code requirements. • If the supply wire is damaged. It must be replaced by the manufacturer or its service agent or a similar qualified person in order to avoid a hazard. • All wiring connections should be capped with UL approved wire connections. 	 <p>WARNING CAUTION</p> <ul style="list-style-type: none"> • If electrical appliances are disposed of in landfill or dumps, hazardous substances can be damaging to health and well-being. • The LED strip used with this profile is not intended for use with emergency exit fixtures or emergency exit lights. • Improper Installation will VOID warranty
 <p>WARNING RISK OF BURNS</p> <ul style="list-style-type: none"> • Do not exceed maximum wattage on LED strip label used with this profile. • Follow all manufacturer's warnings and recommendations for the driver type, mounting position, methods, replacements and recycling. 	 <p>WARNING RISK OF FIRE</p> <ul style="list-style-type: none"> • Operating Temperature is -4°F to 122°F / -20°C to 50°C "Keep LED Strip out of direct sunlight" • Incorrect installation may result in electrical shock or a risk of a fire

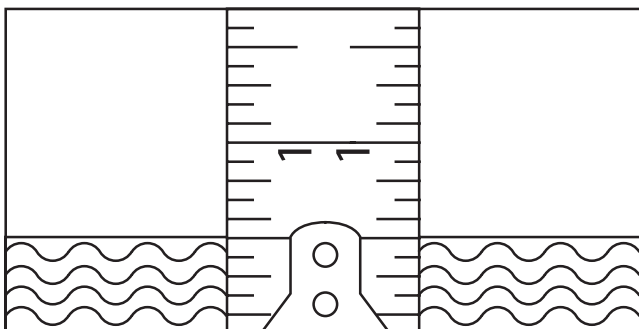
FOR MODEL: AU-CH102&AU-CH103

For indoor applications: grooves (profile can fit slim design and thin furniture pieces, wall surfaces and drywall).

Installation Guide:

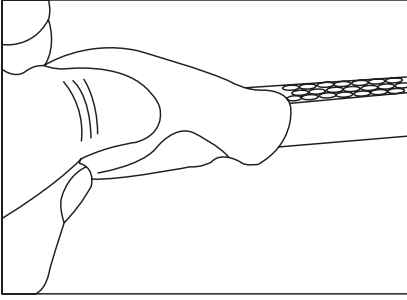
1. Make sure that groove is deep enough to take the entire depth of the profile (Figure 1).

Figure 1



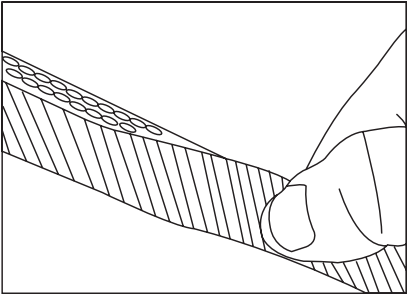
2. Clean/dust groove's surface and profile (Figure 2).

Figure 2



3. Place double sided mounting tape in the groove surface (Figure 3).

Figure 3



4. Remove double-sided tape backing and place profile on tape (Figure 4 & 5).

Figure 4

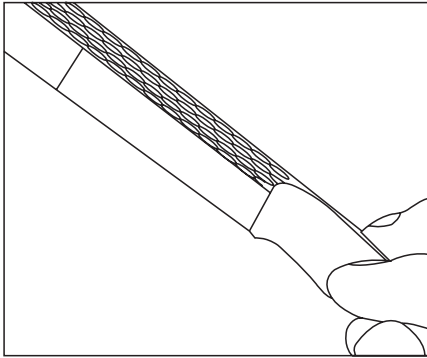
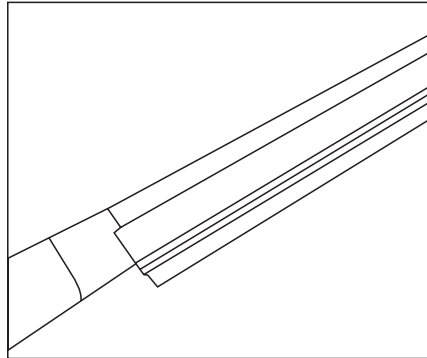
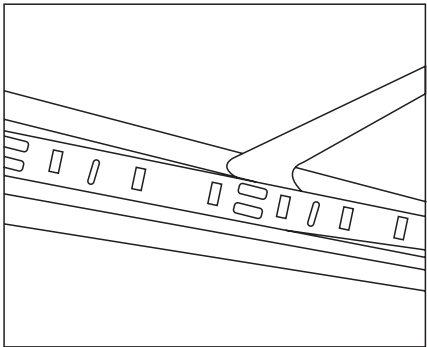


Figure 5



5. Flexible Aurora LED strips are self-adhesive. Attach the LED strip to the inside of the profile (Figure 6).

Figure 6



6. Place end caps in place and put strip cable through the end cap with entry cable hole (Figure 7 & 8).

Figure 7

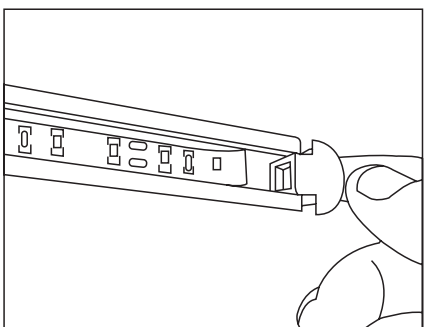
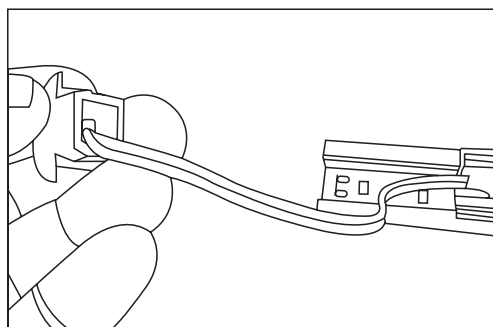
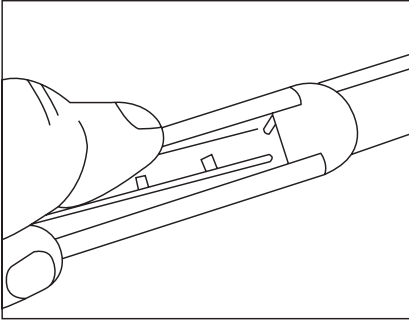


Figure 8



7. Attach the diffuser by applying pressure until it seats itself into the profile (Figure 9).

Figure 9



WARRANTY:

This product has a warranty of period of 1 year from the date of purchase. The warranty is invalid in the case of improper use, installation, tampering, and removal of the Q.C. date label, installation in an improper working environment or installation not according to the current edition of the National Electric Code. Should this product fail during the warranty period it will be replaced free of charge, subject to correct installation and return of the faulty unit. Aurora does not accept responsibility for any installation costs associated with the replacement of this product. This warranty is in addition to the statutory rights in your country of purchase. Aurora reserves the right to alter specifications without prior notice.