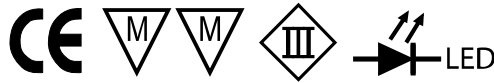





AU-LEDD3510CC DIMMABLE CONSTANT CURRENT LED DRIVERS



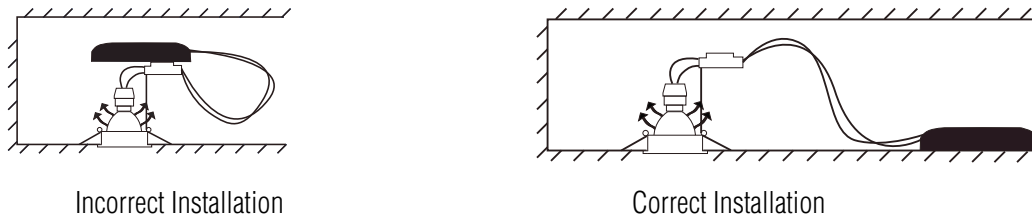
**PLEASE READ THESE INSTRUCTIONS CAREFULLY BEFORE INSTALLATION
LEAVE A COPY FOR THE USER / MAINTENANCE ENGINEER FOR FUTURE REFERENCE**

- Installation should be carried out in accordance with the latest edition of the I.E.E. Wiring Regulations.
- For use with Aurora **350mA constant current** LED products.
- **IMPORTANT.** Constant current LED Fittings **MUST be wired in SERIES** ensuring **correct polarity**. Failure to do so can cause permanent luminaire and/or driver failure.
- Before commencing installation or maintenance, ensure electricity is switched off at the mains.
- Keep the LED Driver away from direct sources of heat such as Low Voltage lamps.
- Ensure that ALL electrical connections are tight with no loose strands.
-  Suitable for direct mounting on or in cabinets or furniture.
- Dimmable with AU-DSP dimmers. **Note:** Dimmers must be de-rated to 50% when used with these LED drivers

INSTALLATION INSTRUCTIONS

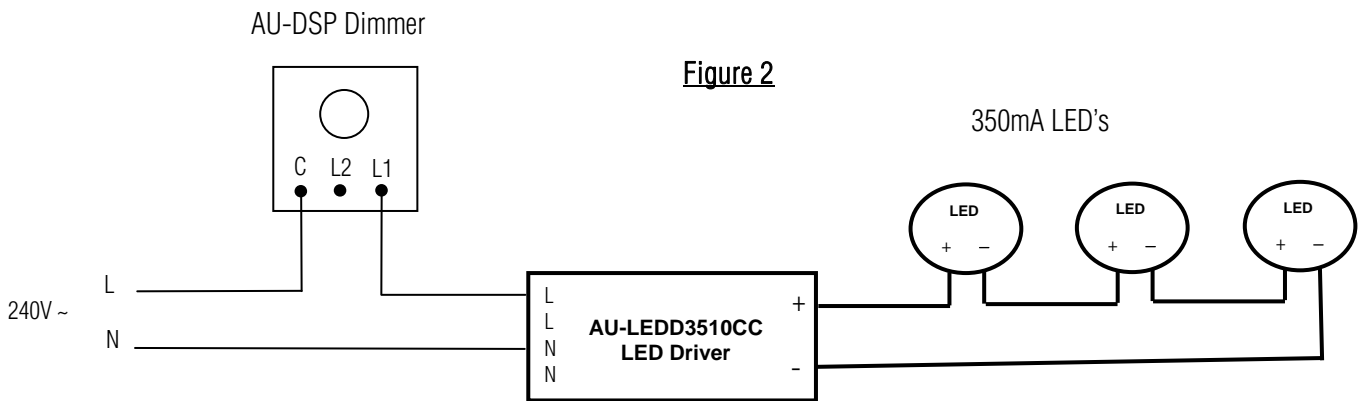
1. Isolate from the mains supply before installation or maintenance.
2. The mains supply should be connected to the Primary input terminals as follows:
Brown/Red – Live
Blue/Black - Neutral
Two live and two neutral terminals are provided for loop in/loop out wiring.
3. The LED driver can be dimmed from a conventional leading edge dimmer, i.e. AU-DSP251, see figure 2.
4. Dimmers must be de-rated to 50% when used with this LED driver, i.e. for a 250W dimmer the maximum load with LED drivers will be 125W (12 x AU-LEDD3510CC).
5. Constant current LED's must be wired in series ensuring correct polarity, see figure 2. Incorrect wiring can result in damage to the LED lamps or driver. See also the instructions provided with the 350mA constant current LED lamp or module
6. Do not install the LED Driver above the luminaire (see figure 1)
7. Switch on the mains supply.

Figure 1



IMPORTANT. Constant current LED fittings **MUST be wired in SERIES** ensuring **correct polarity**. Failure to do so can cause permanent lamp and/or driver failure.

Figure 2



Series wiring for Aurora 700mA Constant Current LED lamps or Luminaires

Environmental Protection (W.E.E.E.) – Aurora’s WEEE Reg.No. WEE/BG0130YX(UK Only)



Waste Electrical & Electronic Equipment Regulations (WEEE) requires that any of our products showing this marking (left) must not be disposed of with other household or commercial waste. Aurora does not levy any WEEE disposal charges to its customers for affected WEEE related products. To prevent possible harm to the environment or human health from uncontrolled waste disposal, please separate any such product from other waste types and recycle it responsibly at your local facilities. Check with your Local Authority, Recycling Centre or retailer for recycling advice. If, when you purchased any Aurora product, your supplier included a WEEE disposal fee, you should then contact your supplier for advice on his takeback of the product for the correct disposal.

GUARANTEE

This product is guaranteed in the UK for a period of 3 years from the date of purchase. The guarantee is invalid in the case of improper use, installation or tampering. Should this product fail during the guarantee period it will be replaced free of charge, subject to correct installation and return of the faulty unit. Aurora does not accept responsibility for any installation costs associated with the replacement of this product. Your statutory rights are not affected. Aurora reserves the right to alter specifications without prior notice.